

HON

SMARTLINK™
Education

PROMOTE YOUR
LEARNING ENVIRONMENT
TO A HIGHER GRADE



The Learning Environment You Wanted

In developing the SmartLink education system, The HON Company asked teachers, principals, and superintendents what they wanted from classroom furniture.

Their answers: It has to be durable. It has to adapt to all grade levels and ways of learning. It has to help educators stay organized. And it has to work with new technology.

Based on what we learned, we created prototypes, showed them around, listened to feedback, and made improvements. The result of this process is SmartLink, a complete furniture system for learning environments that supports today's diverse teaching and learning styles.



TEACHER STATION
Too smart to be called a desk



STUDENT DESK
A clever twist on the old standby



WALL RAIL SYSTEM
Sliding whiteboards that multiply your teaching surface



MODULAR STORAGE
Versatile organization in a compact footprint

INTEGRATED COMPONENTS

Using four basic components, SmartLink makes it easy to configure innovative, stimulating learning environments for students of all ages.

**THE PERFECT
LEARNING
ENVIRONMENT
STARTS WITH
FLEXIBILITY**



c



f



Teacher Stations that Overachieve

More of everything – that pretty much sums up the SmartLink teacher station. More comfort, more legroom, more storage, more usable desktop, better organization, and greater integration with technology.

A compact version is just right for teachers who prefer a smaller desk or for teacher assistants or volunteers who need a space to touch down. It also functions beautifully when set up as a computer station.

Powder-coated top features comfortable ergonomic edge

Optional USB and power hub makes it easy to connect to technology

Available in two top options – laminate for exceptional durability or powder-coated for an upscale look

Attach optional accessories to hold papers and small supplies

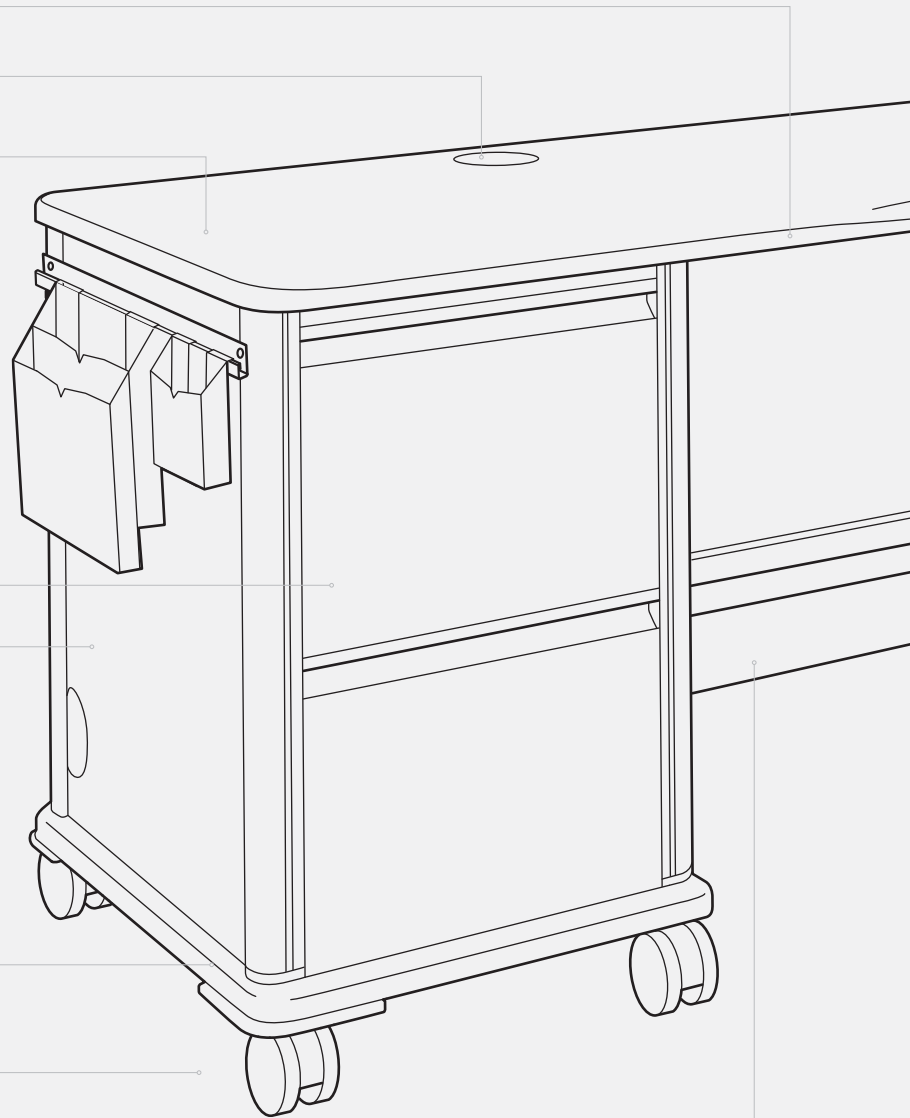
Customize your station with various combinations of drawers, trays, and shelves

Side-panel power cabinet holds optional six-outlet surge protector and keeps cables securely hidden

Bumpers prevent damage to powder-coated medium density fiberboard (MDF) stations

Heavy-duty locking casters provide easy mobility

Wide trough keeps cables out of the way, yet easy to access





TEACHER STATION
Powder-coated MDF top



TEACHER STATION
Powder-coated MDF top



TEACHER STATION
Laminate top



DESKTOP OPTIONS



LAMINATE TOP WITH T-MOLD EDGE



POWDER-COATED MDF

GROMMET OPTIONS



STANDARD SMART GROMMET



USB HUB



POWER HUB

FEATURES GALORE



OPEN CABINET WITH TRAYS AND SHELVES



FULL WIDTH CABLE MANAGEMENT SYSTEM



SIDE PANEL POWER CABINET



SMART IDEAS

Plug into desktop USB and power hubs to project images off your computer.

Charge your cell phone while you teach—just plug into the power hub.

Unlock the casters and reposition the teacher station for presentations, or roll it to another classroom.

Free up desktop space by storing your CPU in an optional CPU holder underneath.

MORE THAN A DESK

Integrated technology helps the SmartLink teacher station earn high marks with educators. Optional USB and power hubs make it easy to plug in electronic devices, while wire-management features hide and control unsightly cables. Plus, both the standard and compact versions are highly mobile and adapt quickly to support changing needs.

Student Desks that Get All A's

SmartLink student desks help educators reconfigure learning environments to support practically any teaching style — just slide them around. With a simple 90-degree turn, they can support either right- or left-handed students. And they even resist defacing — just in case.

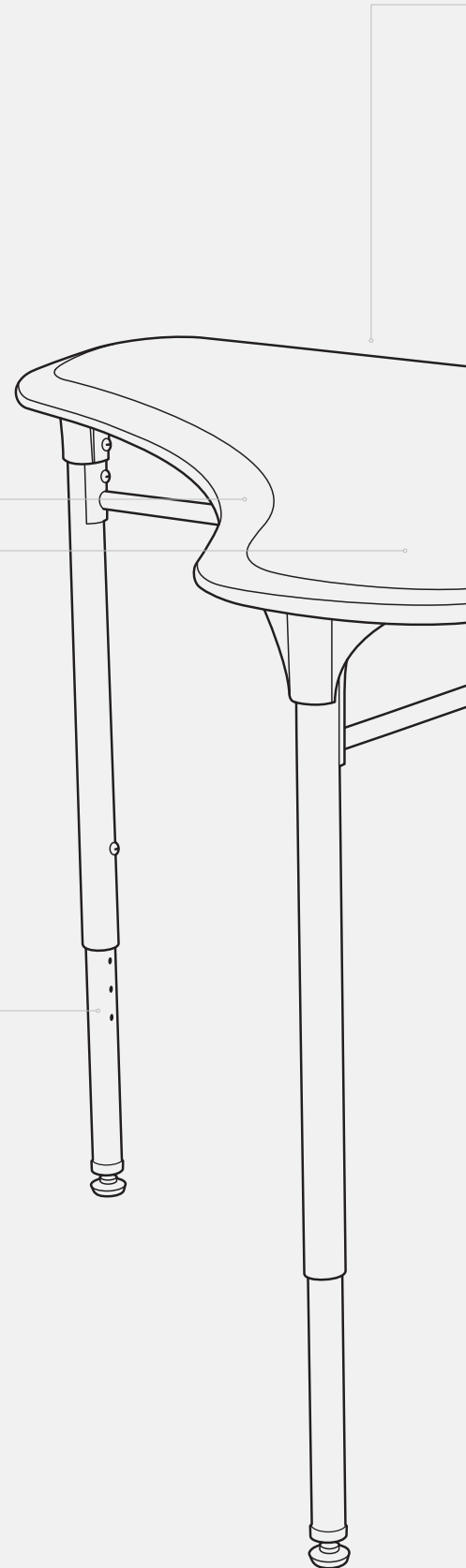
Choose from three models: one with fixed legs, one with adjustable legs designed to fit students of varying heights, or one with sit-to-stand functionality to give students an optional way to learn.

Position three ways:
forward, left-handed,
or right-handed

Comfortable ergonomic
edge

Plenty of room for a laptop
and notebook

Fits students of all
sizes—adjustable version
is 23" to 33"





Innovative shape supports individual or collaborative work

Durable desktop resists defacing

Integrated pencil holders

Optional backpack hook available



ADJUSTABLE HEIGHT

Adjusts from 22-33" to fit students of all sizes



FIXED HEIGHT

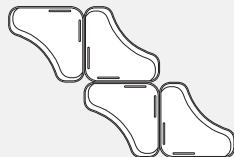
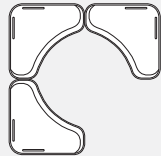
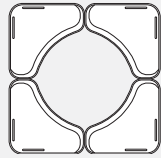
30" height accommodates the majority of students



SIT-TO-STAND

Converts from standard height (30") to standing height (43")





RIGHT-HANDED POSITION



FORWARD POSITION



LEFT-HANDED POSITION

SMART IDEAS

Group four desks together for collaborative work.

Place desks in a presentation circle to encourage student participation.

Mix in a few sit-to-stand desks to give students an optional way to work that's great for collaboration, too.

Cut classroom clutter by attaching an optional book basket and backpack hook.

For more smart classroom configuration ideas, visit hon.com.

WAY BEYOND ORDINARY

With the innovative shape of the SmartLink student desk, any learning environment can be configured to support today's lesson — and reconfigured for tomorrow's lesson. Create a reading circle, a collaboration center, a tutoring station, whatever it takes to make learning happen.

Legs can be specified as either fixed or adjustable, providing ergonomic comfort to tall students, small students, and everyone in between. A sit-to-stand version even lets students work while standing, expanding your options even further.

Modular Storage for Custom Organization

Storage is an exercise in change management as well as clutter control. How do you store everything a learning environment needs when those needs vary from grade level to grade level—and from year to year?

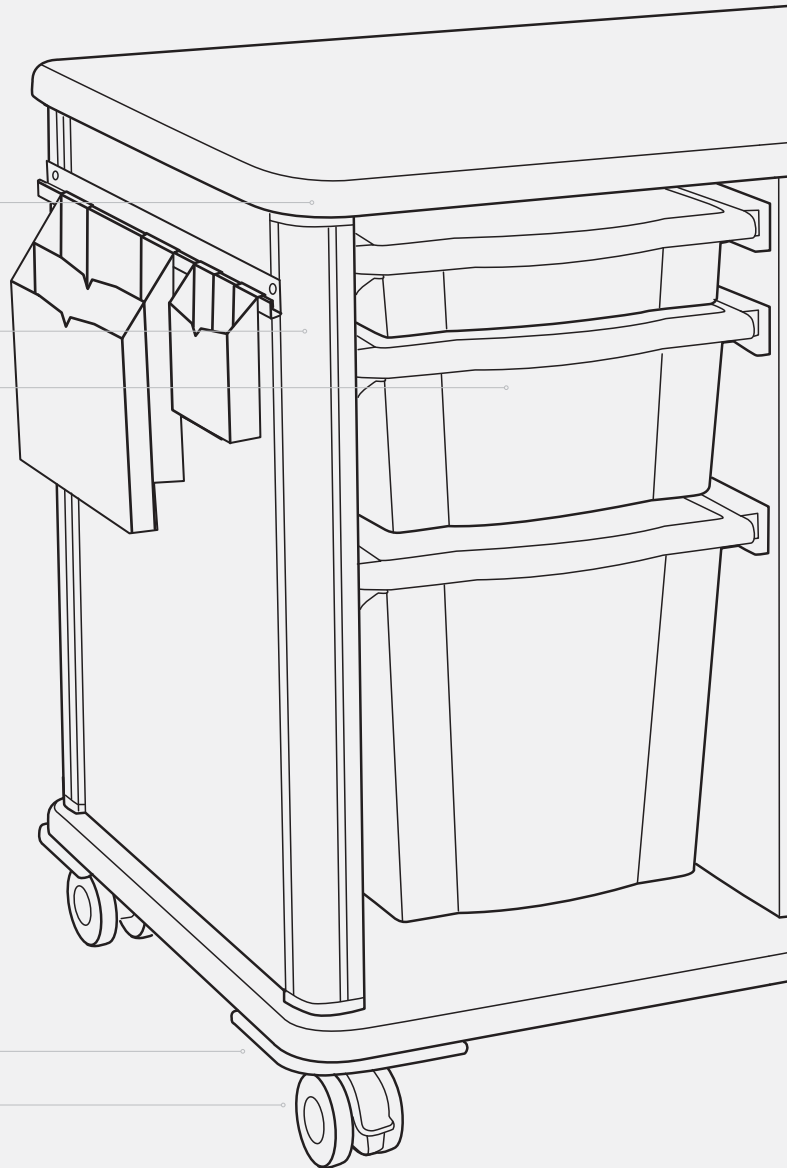
With SmartLink modular storage cabinets, interchangeable shelves and trays make it easy to organize a variety of teaching supplies—and reorganize fast. Removable shelves and 3-, 6-, and 12-inch-deep trays can be reconfigured in seconds without tools.

Rounded corners and a radius edge mean greater safety for students

Attach optional accessories to hold papers and small supplies

Specify optional locking doors for security

3", 6", and 12" trays for items of all sizes



Bumpers prevent damage when moving cabinet

Heavy-duty locking casters for easy mobility



Desk-height (30") and tall (61") versions available

Easy-grip finger pull on trays and shelves

Interchangeable trays and shelves

Auto-stop feature prevents shelves from pulling all the way out



WHITEBOARD

Optional whiteboard can be hung on back of tall cabinet



LOCKING DOORS

Specify optional locking doors for security



CONFIGURE TRAYS OR SHELVES FOR OPTIMAL STORAGE



SMART IDEAS

Use cabinets to divide space into different learning zones.

Assign each student a tray for classroom materials or laptops.

Use shelves for books and slide-out trays for larger supplies.

Hang student lab coats on the optional coat rod.

Add a cabinet bracket and whiteboard to the back of the tall storage cases for additional student work areas.

ORGANIZE YOUR WAY

SmartLink modular storage comes in two sizes: a desk-height version and a tall cabinet that doubles as a classroom divider. Hook a whiteboard on the back of the tall storage cabinet for an extra teaching area, student work zone, or projection surface. The same whiteboards can be used interchangeably with the SmartLink wall rail system and tall storage cases.

SmartLink storage is mobile, too, so you can roll supplies wherever they're needed and rearrange learning environments with ease.

Do More with Sliding Whiteboards

Why settle for a single whiteboard? The SmartLink wall rail system gives you multiple sliding whiteboards, delivering extra writing and display area without taking up extra wall space. You can even attach worksurfaces and storage accessories. Think of it as a communication center for your learning environment.

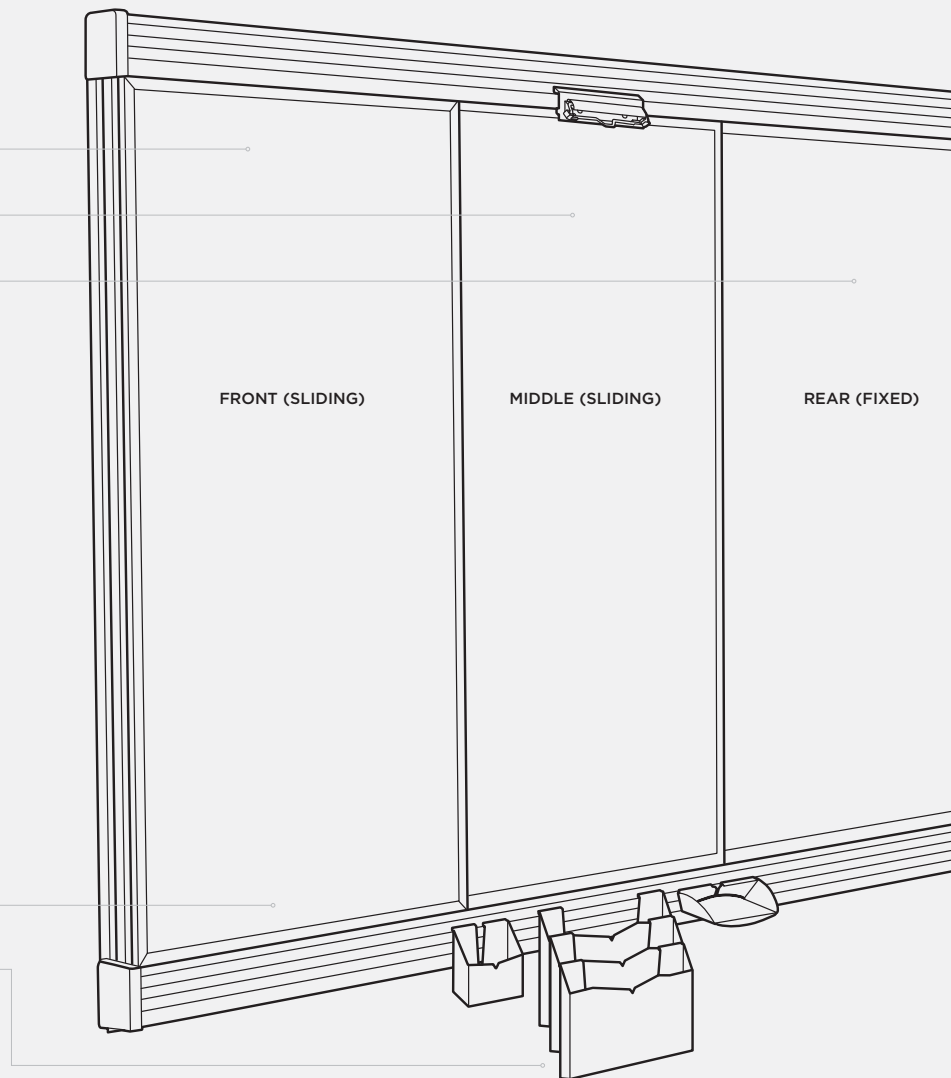
Boards can be reversed — just flip them over to write on both sides

Layered sliding boards let teachers organize multiple lessons

Two sliding front boards attach to the fixed rear board for three layers of writing space (and less erasing)

Boards are removable and can be shared between rail systems

Optional rail accessories for markers, papers, and more





Optional tackboard
available for reverse side

Whiteboards accept
magnets for easy display

Move whiteboards to tall
storage cases for additional
student work spaces





SMART IDEAS

Post papers on an optional tackboard to avoid damaging walls.

Save notes for a later class by sliding a whiteboard aside.

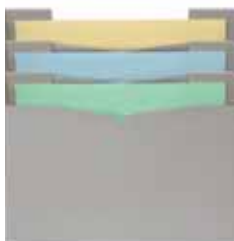
Attach a computer or study station by mounting an optional worksurface to the track.

Hook a whiteboard on the back of a tall SmartLink modular storage cabinet for an extra teaching or display surface.

ORGANIZE SMARTER WITH OPTIONAL RAIL ACCESSORIES



PAPER CLIP HOLDER



FILE FOLDER BIN



CD/PENCIL BOX



HOOK



MARKER TRAY

LAYERS OF LEARNING

The SmartLink wall rail system features three levels of whiteboards that slide on rails. Teachers love it because they can slide one board in front of another without having to erase. Want even more surface area? Just flip the boards over to write on the back. Place the system on multiple walls and you can create teaching zones around the room.



TEACHER STATION

OVERVIEW



TEACHER STATION



TEACHER ASSOCIATE

ACCESSORIES



ACCESSORY RAIL



SECURITY LOCK



USB HUB



POWER GROMMET



SIDE PANEL POWER KIT



MODULAR STORAGE

OVERVIEW



(1) 30" COLUMN



(1) 30,"
(1) 12" COLUMNS



(1) 30,"
(1) 12" COLUMNS



(2) 12" COLUMNS



(3) 12" COLUMNS



(3) 12" COLUMNS



TRAY KIT-
3"/6"/12"



SHELF KIT-
30"/12"



WHITEBOARD-
24"/48"



WHITEBOARD
BRACKET



COAT ROD-12"



STUDENT DESK

OVERVIEW



ADJUSTABLE -
STUDENT DESK



FIXED -
STUDENT DESK



SIT-TO-STAND -
STUDENT DESK

ACCESSORIES



BOOK BOX



BACKPACK HOOK



WALL RAIL SYSTEM

OVERVIEW



RAILS



FIXED
WHITEBOARD



SLIDING
WHITEBOARD/
WHITEBOARD



SLIDING
WHITEBOARD/
TACKBOARD



FIXED
WHITEBOARD



SLIDING
WHITEBOARD/
WHITEBOARD



SLIDING
WHITEBOARD/
TACKBOARD



WORKSURFACE



MARKER TRAY



HOOK



PAPER CLIP
HOLDER



CD/PENCIL BOX



FOLDER BIN

To learn more about the SmartLink Education System, please call 800-272-2380.

PRODUCTS, MATERIALS, AND FINISHES SHOWN:

Front A: SmartLink teacher station (LT2672-23) with Reflection top and shelves, Charcoal metal surfaces, and Platinum Metallic frame. SmartLink wall rail system with Platinum Metallic trim, tackboard in Element Warm Beige, and optional CD/pencil box. SmartLink student desk with Sand top and Charcoal legs. Mirus™ chair in Arrondi Taupe. Accomplish™ 4-leg chair in Red with Charcoal legs.

Page 2 B: SmartLink sit-to-stand student desk (LD-M3T) with Breeze top and Charcoal upper leg. Olson stool with Lava shell, Signal CharBlack upholstered seat, and Black base.

Pages 4 - 5 C, D, E, F, G, H: SmartLink teacher station (LT-2672-23.C) with Reflection top, Platinum Metallic metal surfaces, Charcoal frame. SmartLink modular storage with Reflection top and shelves, Platinum Metallic metal surfaces, and Charcoal frame. SmartLink wall rail system with Platinum Metallic trim and tackboard in Element Veil. SmartLink student desks with Breeze tops and Charcoal legs. Accomplish 4-leg chairs in Lava with Charcoal legs. Alaris™ chair in Messenger Poppy fabric, Gray Resilience™ back, Titanium frame.

Page 8 I: SmartLink teacher stations (LT2460-R3 and LT2672-23) with Reflection top and shelves, Charcoal metal surfaces, Platinum Metallic frame. SmartLink wall rail system with Platinum Metallic trim, tackboard in Element Warm Beige, optional folder bin, and CD/pencil box. SmartLink student desks (LD-M3A and LD-M3T) with Sand tops and Charcoal legs. SmartLink modular storage with Reflection tops and shelves, Platinum Metallic metal surfaces, and Charcoal frame. Mirus chairs in Arrondi Taupe. Accomplish 4-leg chairs in Red with Charcoal legs. Accomplish stools in Red with Charcoal base.

Page 12 J: SmartLink teacher station (LT2672-23) with Reflection top and shelves, Charcoal metal surfaces, Platinum Metallic frame. SmartLink wall rail system with Platinum Metallic trim, tackboard in Element Warm Beige, optional folder bin, and CD/pencil box. SmartLink student desks (LD-M3A and LD-M3T) with Sand tops and Charcoal legs. SmartLink

modular storage with Reflection tops and shelves, Platinum Metallic metal surfaces, and Charcoal frame. Mirus chair in Arrondi Taupe. Accomplish 4-leg chairs in Red with Charcoal legs. Accomplish stools in Red with Charcoal base.

Page 12 K: SmartLink teacher station (LT2672-23) with Reflection top and shelves, Charcoal metal surfaces, Platinum Metallic frame. SmartLink student desks (LD-M3A and LD-M3T) with Sand tops and Charcoal legs. SmartLink modular storage with Reflection tops and shelves, Platinum Metallic metal surfaces, and Charcoal frame. Accomplish 4-leg chairs in Red with Charcoal legs. Accomplish stools in Red with Charcoal base.

Page 16 L: SmartLink modular storage with Reflection top and shelves, Platinum Metallic metal surfaces, Charcoal frame, and optional whiteboard. SmartLink student desks with Sand tops and Charcoal legs. SmartLink teacher station (LT2672-23) with Reflection top and shelves, Charcoal metal surfaces, Platinum Metallic frame. SmartLink wall rail system with Platinum Metallic trim, tackboard in Element Warm Beige, optional CD/pencil box. Accomplish 4-leg chairs in Red with Charcoal legs. Accomplish swivel chair in Red. Mirus chair in Arrondi Taupe.

Page 19 M: SmartLink wall rail system with Platinum Metallic trim, tackboard in Element Warm Beige, optional paper clip, CD/pencil box, and marker tray. SmartLink modular storage with Muslin top and shelves, Charcoal metal surfaces, Platinum Metallic frame. SmartLink student desk with White top and Charcoal legs. Accomplish 4-leg chair in Red with Charcoal legs.

Page 20 N: SmartLink wall rail system with Platinum Metallic trim, tackboard in Element Warm Beige, and optional paper clip. SmartLink student desk with White top and Charcoal legs. Accomplish 4-leg chair in Red with Charcoal legs.

Back O: SmartLink sit-to-stand student desk (LD-M3T) with Breeze top and Charcoal upper leg. Olson stool with Lava shell, Signal CharBlack upholstered seat, and Black base. Perpetual® lounge sofa in Signal Neutra. Corner table in Bourbon Cherry.



HON®

The HON Company
200 Oak Street
Muscatine, IA 52761
800.833.3964
hon.com

© 2010 The HON Company. Form No. H3828 (3/10)
HON and Perpetual are registered trademarks of HNI Technologies, under license to The HON Company. Accomplish, Mirus, Alaris, and Gray Resilience are trademarks of The HON Company. Models, upholstery, and finishes are subject to change without notice.

Cross-brace is standard on all SmartLink student desks, but may not be shown in all photography.