

FALCON™

LUCKY CHAIR



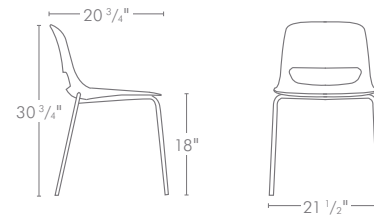
GT702

FALCON™ LUCKY CHAIR

Available 4-leg or sled base, side or arm, and barstool.

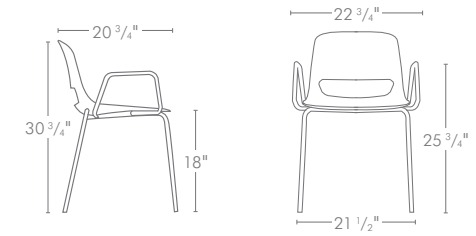
4-LEG BASE, SIDE GT702, GT703, GT704, GT705

Stacks up to 5 high
38 9/16"H x 26 3/4"D x 22 3/4"W



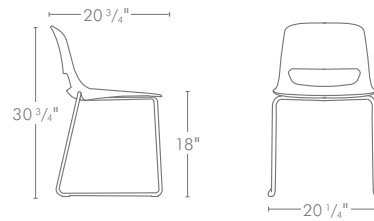
4-LEG BASE, ARMS GT702-1, GT703-1, GT704-1, GT705-1

Stacks up to 5 high
38 9/16"H x 26 3/4"D x 22 3/4"W



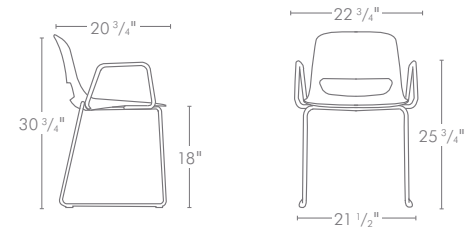
SLED BASE, SIDE GT707, GT708, GT709, GT710

Stacks up to 10 high
48 7/16"H x 34 5/8"D x 22 3/4"W



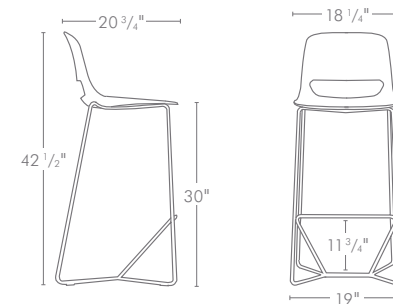
SLED BASE, ARMS GT707-1, GT708-1, GT709-1, GT710-1

Non-stackable



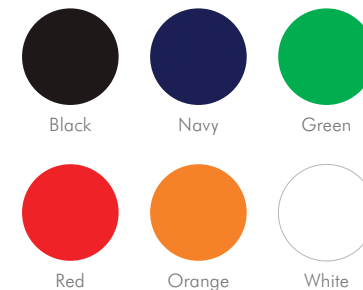
SLED BASE, BARSTOOL GT712, GT713, GT714, GT715

Non-stackable



BACK GLOSS FINISH

Also available in custom colors. Call for pricing, lead time, and minimum quantity.



FALCON™ LUCKY CHAIR

Single-body structure seat/backrest in a two color polypropylene finish. Inside seat molded with white matte anti-slip surface. Outside seat/back offered in six gloss color options. Available with upholstered seat and back in unlimited fabric options. Arms and legs in chrome-plated steel.



GT702-1



GT712



GT707



GT702



GT708



GT712



GT702-1



GT707



GT708



GT710



GT707-1



GT702