

HAMPTON



**AGATI**  
FURNITURE



Hampton Straight with wood veneer screen.



Hampton Curve with fabric screens.



Two basic Curve sections



Hampton Curve shown in "5" configuration with wood veneer surrounds.

## HAMPTON Seating Collection

Today's environments call for not only effective but creative use of space. The need for collaboration and innovation prevails, without sacrificing design and style. AGATI answers that call with its sophisticated Hampton Seating. Available in a variety of configurations, the Hampton offers adaptable form and function allowing users to sit in comfort, while meeting in style.

The basic Hampton is perfect for a casual and open space, while optional surrounds can be added to envelop users for more seclusion. Both the curved and straight Hampton can be covered in chic fabrics, backed in sleek veneers or high pressure laminate. The Hampton can rest on metal legs or plinth bases and for additional separation custom privacy screens may be added. An ability to stand alone or build-in allows the Hampton to provide ultimate flexibility in space configuration. No matter how big or small the space, AGATI's Hampton adds abundant seating and flair to spaces everywhere.

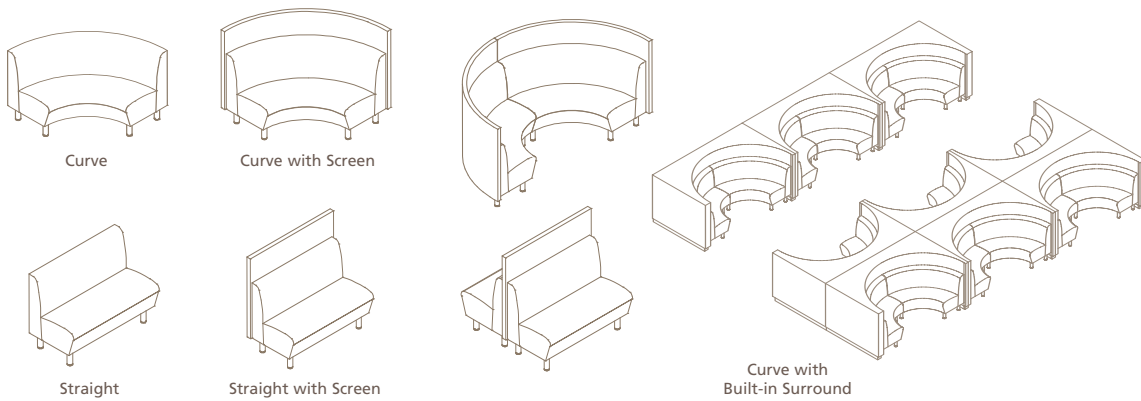


Metal  
Leg Base

Plinth  
Base



Hampton seating with built-in surround, plinth base and 3form privacy screens.



AGATI is defined by versatility. Designs combine a unique blend of aesthetics and engineering, distinguished by their eclectic styles. Inspired by the need for furniture that is both timeless and universal, AGATI is committed to the design and engineering of each and every piece.

Furniture built to last a lifetime means investing in the future. AGATI is dedicated to implementing sound environmental practices such as utilizing domestic reforested lumber, as well as reusable packaging materials. AGATI believes in helping preserve resources at no expense to the integrity of the product or the satisfaction of the customer.

Celebrated for its design. Chosen for its quality.

**AGATI**

1219 W Lake Street Chicago, Illinois 60607 T 312.829.1977 F 312.829.8249 [www.agati.com](http://www.agati.com)

© 2008 Agati, Chicago, Illinois Printed in USA b0301\_hamp\_lstg\_12/08